

# QUAKER WINDOW PRODUCTS

## SERIES K200 THERMALLY BROKEN

### ALUMINUM HORIZONTAL SLIDING WINDOW

### (NON-HVHZ)(NON-IMPACT)



504 HIGHWAY 63 SOUTH  
FREEBURG, MO 65582  
PH: (651) 264-5150 FX: (651) 264-5485

**INSTALLATION NOTES:**

- ONE (1) INSTALLATION ANCHOR IS REQUIRED AT EACH ANCHOR LOCATION SHOWN, UNLESS OTHERWISE STATED.
- THE NUMBER OF INSTALLATION ANCHORS DEPICTED IS THE MINIMUM NUMBER OF ANCHORS TO BE USED FOR PRODUCT INSTALLATION.
- INSTALL INDIVIDUAL INSTALLATION ANCHORS WITHIN A TOLERANCE OF ±1/2 INCH OF THE DEPICTED LOCATION IN THE ANCHOR LAYOUT DETAIL (I.E., WITHOUT CONSIDERATION OF TOLERANCES). TOLERANCES ARE NOT CUMULATIVE FROM ONE INSTALLATION ANCHOR TO THE NEXT.
- SHIM AS REQUIRED IN ORDER TO ACHIEVE SQUARE AND PLUMB WITH LOAD BEARING SHIM(S). MAXIMUM ALLOWABLE SHIM STACK TO BE 1/4 INCH. SHIM WHERE SPACE OF 1/16 INCH OR GREATER OCCURS. SHIM(S) SHALL BE CONSTRUCTED OF HIGH DENSITY PLASTIC OR BETTER.
- THROUGH FIN:** FOR INSTALLATION INTO 2X WOOD FRAME USE ONE (1) #8 WOOD SCREW PER LOCATION OF SUFFICIENT LENGTH TO ACHIEVE 1 1/2 INCH MINIMUM EMBEDMENT INTO WOOD SUBSTRATE.
- THROUGH FIN:** FOR INSTALLATION THROUGH METAL STUD USE ONE (1) #8 SELF-TAPPING SCREW PER LOCATION OF SUFFICIENT LENGTH TO ACHIEVE 3 THREADS MINIMUM PENETRATION THROUGH METAL FRAME SUBSTRATE.
- INSTALLATION CLIP:** FOR INSTALLATION INTO 2X WOOD FRAME USE ONE (1) #8 WOOD SCREW PER CLIP OF SUFFICIENT LENGTH TO ACHIEVE 1 1/2 INCH MINIMUM EMBEDMENT INTO WOOD SUBSTRATE.
- INSTALLATION CLIP:** FOR INSTALLATION THROUGH 1X BUCK TO CONCRETE/ MASONRY, OR DIRECTLY INTO CONCRETE/ MASONRY, USE ONE (1) 3/16 INCH ITW TAPCON PER CLIP OF SUFFICIENT LENGTH TO ACHIEVE 1 1/4 INCH MINIMUM EMBEDMENT.
- INSTALLATION CLIP:** FOR INSTALLATION THROUGH METAL STUD USE ONE (1) #8 SELF-TAPPING SCREW PER CLIP OF SUFFICIENT LENGTH TO ACHIEVE 3 THREADS MINIMUM PENETRATION THROUGH METAL FRAME SUBSTRATE.
- MINIMUM EMBEDMENT AND EDGE DISTANCE EXCLUDE WALL FINISHES, INCLUDING BUT NOT LIMITED TO STUCCO, FOAM, BRICK VENEER, AND SIDING.
- INSTALLATION ANCHORS AND ASSOCIATED HARDWARE MUST BE MADE OF CORROSION RESISTANT MATERIAL OR HAVE A CORROSION RESISTANT COATING.
- FOR HOLLOW BLOCK AND GROUT FILLED BLOCK, DO NOT INSTALL INSTALLATION ANCHORS INTO MORTAR JOINTS. EDGE DISTANCE IS MEASURED FROM FREE EDGE OF BLOCK OR EDGE OF MORTAR JOINT INTO FACE SHELL OF BLOCK.
- INSTALLATION ANCHORS SHALL BE INSTALLED IN ACCORDANCE WITH ANCHOR MANUFACTURER'S INSTALLATION INSTRUCTIONS, AND ANCHORS SHALL NOT BE USED IN SUBSTRATES WITH STRENGTHS LESS THAN THE MINIMUM STRENGTH SPECIFIED BY THE ANCHOR MANUFACTURER.
- INSTALLATION ANCHOR CAPACITIES FOR PRODUCTS HEREIN ARE BASED ON SUBSTRATE MATERIALS WITH THE FOLLOWING PROPERTIES:
  - WOOD - MINIMUM SPECIFIC GRAVITY OF 0.55.
  - CONCRETE -MINIMUM COMPRESSIVE STRENGTH OF 3000 PSI.
  - MASONRY - CMU UNIT STRENGTH CONFORMS TO ASTM C-90, WITH MIN. COMPRESSIVE STRENGTH OF 2000 PSI.
  - STEEL - MINIMUM YIELD STRENGTH OF 33 KSI. MINIMUM WALL THICKNESS OF 33 MILS. (20 GAUGE)
  - ALUMINUM - 1/8" MINIMUM THICKNESS (6063-T5).

**GENERAL NOTES:**

- THE PRODUCT SHOWN HEREIN IS DESIGNED AND MANUFACTURED TO COMPLY WITH THE CURRENT FLORIDA BUILDING CODE (FBC) **EXCLUDING** HVHZ AND HAS BEEN EVALUATED ACCORDING TO THE FOLLOWING:
  - AAMA/WDMA/CSA 101/I.S.2/A440-11
- ADEQUACY OF THE EXISTING STRUCTURAL CONCRETE/MASONRY, 2X AND METAL STUD FRAMING AS A MAIN WIND FORCE RESISTING SYSTEM CAPABLE OF WITHSTANDING AND TRANSFERRING APPLIED PRODUCT LOADS TO THE FOUNDATION IS THE RESPONSIBILITY OF THE ENGINEER OR ARCHITECT OF RECORD FOR THE PROJECT OF INSTALLATION.
- 1X AND 2X BUCKS (WHEN USED) SHALL BE DESIGNED AND ANCHORED TO PROPERLY TRANSFER ALL LOADS TO THE STRUCTURE. BUCK DESIGN AND INSTALLATION IS THE RESPONSIBILITY OF THE ENGINEER OR ARCHITECT OF RECORD FOR THE PROJECT OF INSTALLATION.
- THE INSTALLATION DETAILS DESCRIBED HEREIN ARE GENERIC AND MAY NOT REFLECT ACTUAL CONDITIONS FOR A SPECIFIC SITE. IF SITE CONDITIONS CAUSE INSTALLATION TO DEVIATE FROM THE REQUIREMENTS DETAILED HEREIN, A LICENSED ENGINEER OR ARCHITECT SHALL PREPARE SITE SPECIFIC DOCUMENTS FOR USE WITH THIS DOCUMENT.
- APPROVED IMPACT PROTECTIVE SYSTEM **IS REQUIRED** TO PROTECT THIS PRODUCT IN AREAS REQUIRING IMPACT RESISTANCE.
- WINDOW FRAME MATERIAL: ALUMINUM 6063-T6
- GLASS SHALL COMPLY WITH THE REQUIREMENTS OF ASTM E1300 GLASS CHARTS. SEE SHEET 4 FOR GLAZING DETAILS.
- DESIGNATIONS "X" AND "O" STAND FOR THE FOLLOWING:
  - X: OPERABLE SASH
  - O: FIXED SASH
- CUSTOM SIZES AVAILABLE UPON REQUEST.

TABLE OF CONTENTS	
SHEET	SHEET DESCRIPTION
1	GENERAL & INSTALLATION NOTES
2	ELEVATIONS & ANCHOR LAYOUTS
3	VERTICAL SECTIONS
4	HORIZONTAL SECTIONS & GLAZING DETAIL
5	COMPONENTS & BILL OF MATERIALS

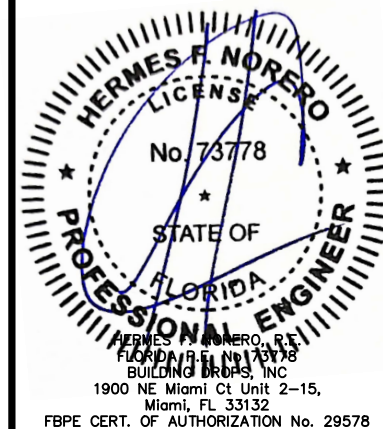
SIZE & CONFIGURATION	DESIGN PRESSURE	MISSILE IMPACT RATING
72" X 60" (XO)	+40/-40 PSF	NOT IMPACT RATED

TITLE: SERIES K200 THERMALLY BROKEN ALUMINUM HORIZONTAL SLIDING WINDOW (NON-HVHZ)(NON-IMPACT) GENERAL AND INSTALLATION NOTES

PREPARED BY: BUILDING DROPS, INC.  
1900 NE Miami Ct Unit 2-15, Miami, FL 33132  
PH: (954) 399-8478  
FAX: (954) 744-4738  
WEB: www.buildingdrops.com

REMARKS	BY	DATE
FBC CODE UPDATE	SM	04/12
6TH ED. FBC UPDATE	EG	04/12
7TH ED. FBC UPDATE	LL	01/21
8TH ED. FBC UPDATE	FB	12/23

THE INSTALLATION DETAILS DESCRIBED HEREIN ARE GENERIC AND MAY NOT REFLECT ACTUAL CONDITIONS FOR A SPECIFIC SITE. IF SITE CONDITIONS CAUSE INSTALLATION TO DEVIATE FROM THE REQUIREMENTS DETAILED HEREIN, A LICENSED ENGINEER OR ARCHITECT SHALL PREPARE SITE SPECIFIC DOCUMENTS FOR USE WITH THIS DOCUMENT.



FL #: **FL14071**

DATE: **04.17.13**

DWG. BY: **MTJ**      CHK. BY: **HFN**

SCALE: **NTS**

DWG. #: **QWP021**

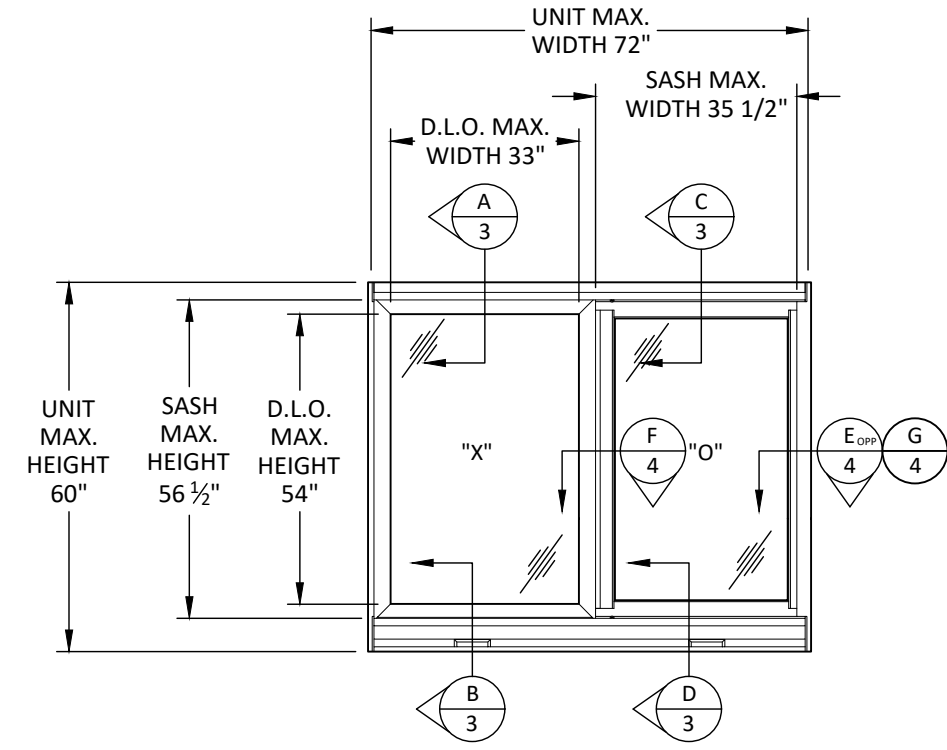
SHEET: **1** OF 5

12/8/2023 9:40 AM  
z:\projects\quaker\_window\_products\cc-23-1113 - fbc 2023 code change\dwg\14071\qwp021 series k200 - fbc23.dwg

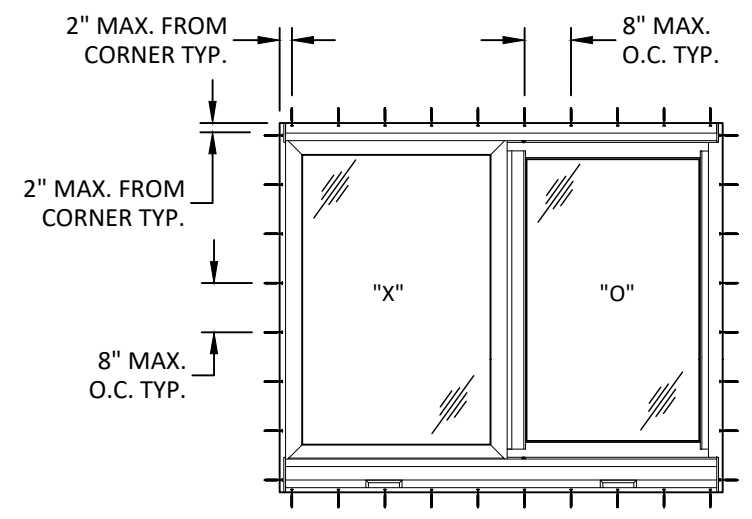
z:\projects\quaker\_window\_products\cc-23-1113 - fbc 2023 code change\dwg\114071\qwp021 series k200 - fbc23.dwg 12/8/2023 9:40 AM



504 HIGHWAY 63 SOUTH  
 FREEBURG, MO 65582  
 PH: (651) 264-5150 FX: (651) 264-5485



**ELEVATION**



**ANCHOR LAYOUT**  
 THROUGH FIN OR INSTALLATION CLIP

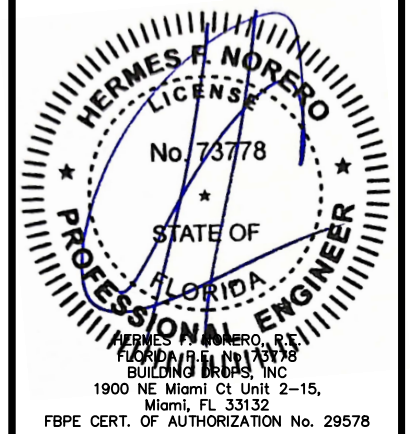
TITLE: SERIES K200 THERMALLY BROKEN ALUMINUM HORIZONTAL SLIDING WINDOW (NON-HVHZ)/(NON-IMPACT) ELEVATIONS AND ANCHOR LAYOUTS

PREPARED BY: **BUILDING DROPS, INC.**  
 1900 NE Miami Ct Unit 2-15,  
 Miami, FL 33132  
 PH: (954) 399-8478  
 FAX: (954) 744-4738  
 WEB: www.buildingdrops.com



REMARKS	BY	DATE
FBC CODE UPDATE	SM	04/12
6TH ED. FBC UPDATE	EG	04/12
7TH ED. FBC UPDATE	LL	01/21
8TH ED. FBC UPDATE	FB	12/23

THE INSTALLATION DETAILS DESCRIBED HEREIN ARE GENERIC AND MAY NOT REFLECT ACTUAL CONDITIONS FOR A SPECIFIC SITE. IF SITE CONDITIONS CAUSE INSTALLATION TO DEVIATE FROM THE REQUIREMENTS DETAILED HEREIN, A LICENSED ENGINEER OR ARCHITECT SHALL PREPARE SITE SPECIFIC DOCUMENTS FOR USE WITH THIS DOCUMENT.



FL #:	<b>FL14071</b>
DATE:	<b>04.17.13</b>
DWG. BY:	<b>MTJ</b>
CHK. BY:	<b>HFN</b>
SCALE:	<b>NTS</b>
DWG. #:	<b>QWP021</b>
SHEET:	<b>2</b>

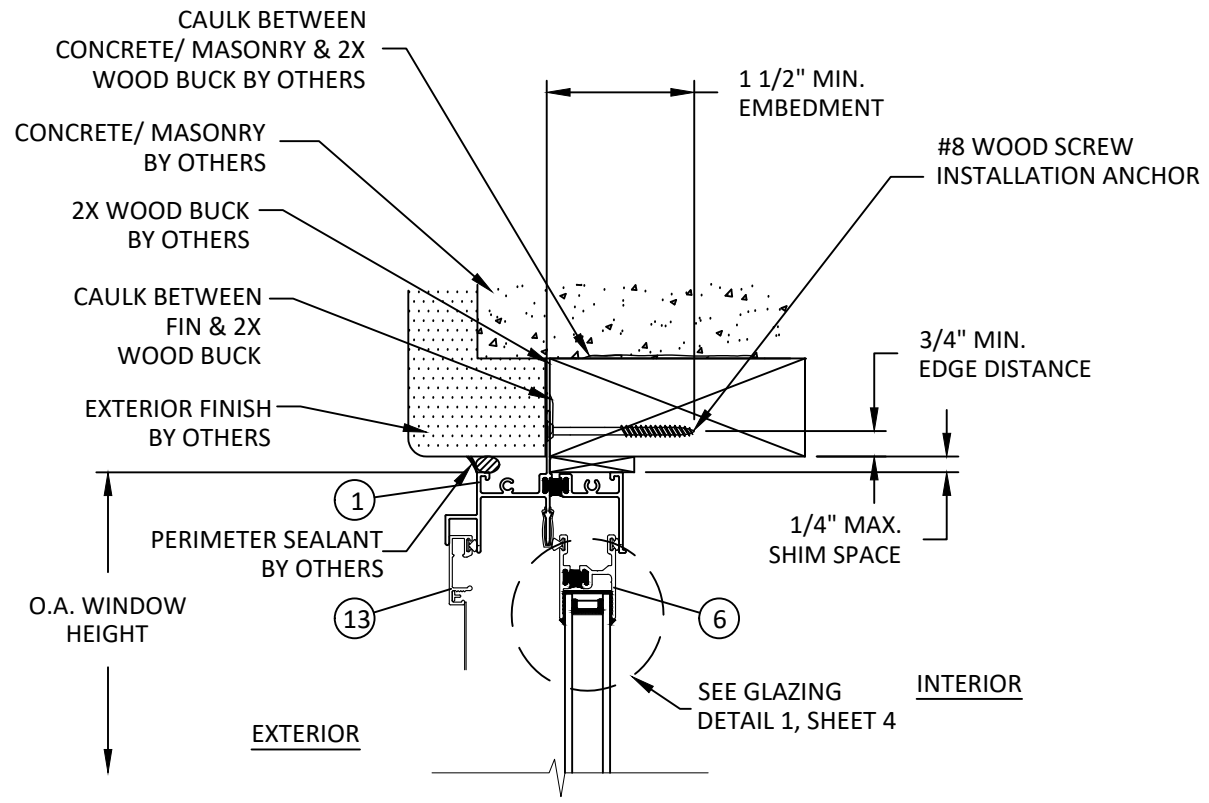
12/18/2023 9:40 AM  
z:\projects\quaker\_window\_products\cc-23-1113 - fbc 2023 code change\dwgs\114071\qwp021\_series k200 - fbc23.dwg



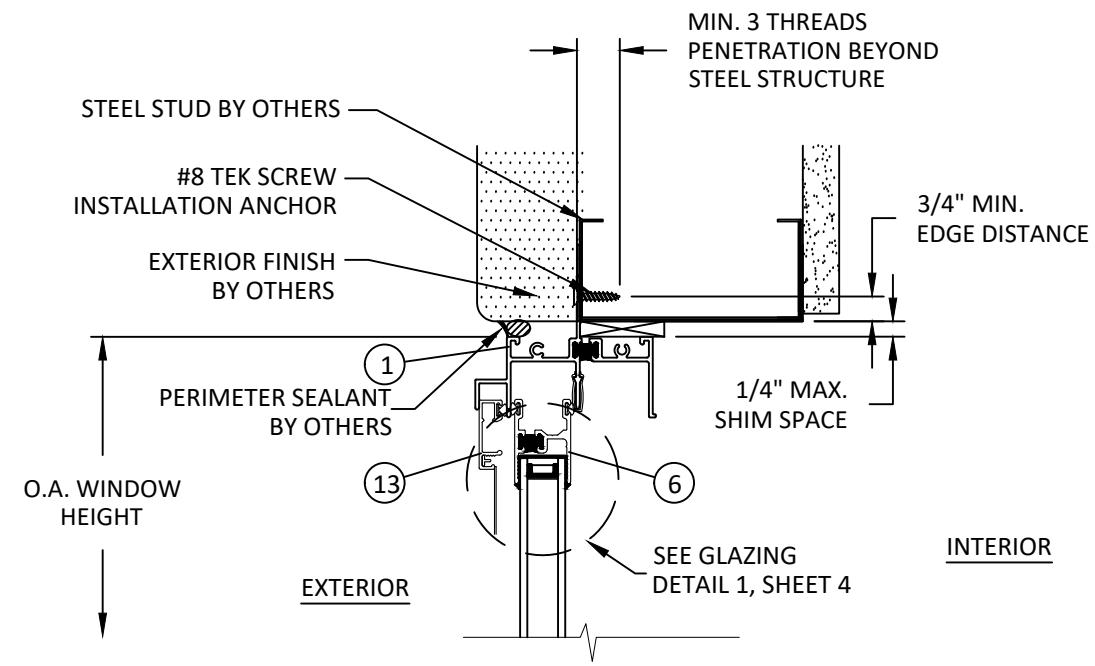
504 HIGHWAY 63 SOUTH  
FREEBURG, MO 65582  
PH: (651) 264-5150 FX: (651) 264-5485

TITLE: SERIES K200 THERMALLY BROKEN ALUMINUM HORIZONTAL SLIDING WINDOW (NON-HVHZ)(NON-IMPACT) VERTICAL SECTIONS

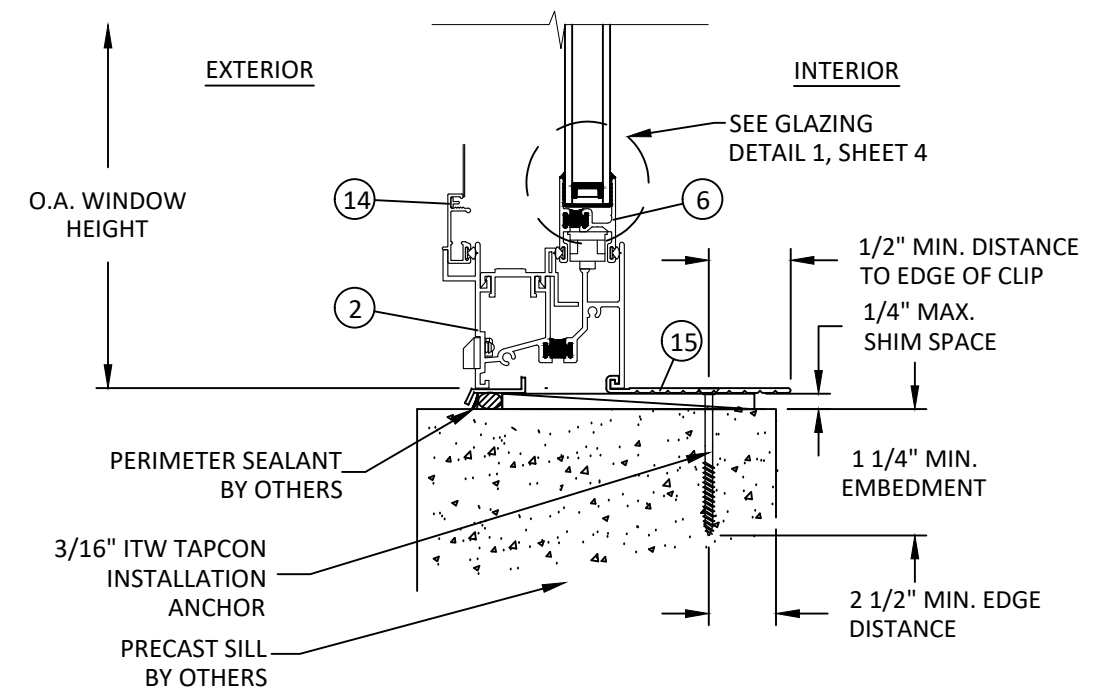
PREPARED BY: BUILDING DROPS, INC.  
1900 NE Miami Ct Unit 2-15,  
Miami, FL 33132  
PH: (954) 399-8478  
FAX: (954) 744-4738  
WEB: www.buildingdrops.com



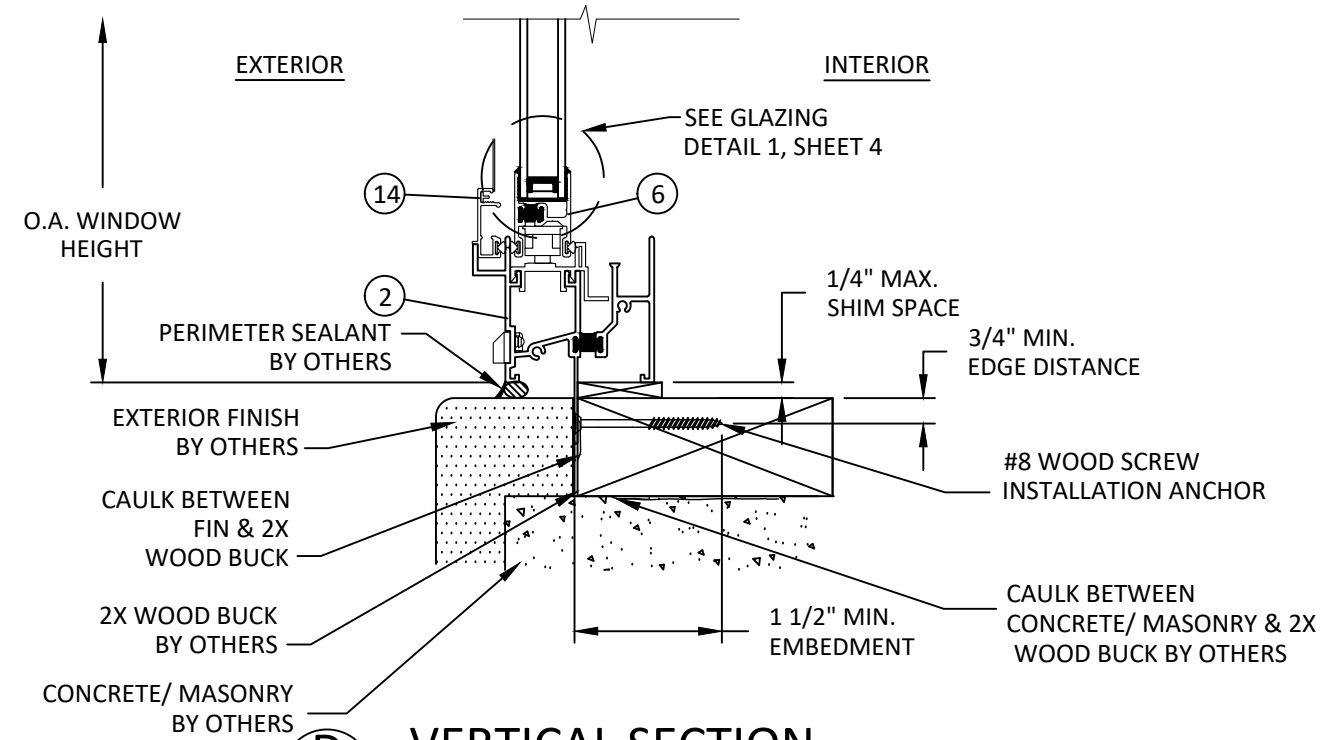
**A**  
**3** VERTICAL SECTION  
HEAD - 2X WOOD BUCK  
NAIL FIN



**C**  
**3** VERTICAL SECTION  
HEAD - STEEL STUD  
NAIL FIN



**B**  
**3** VERTICAL SECTION  
SILL - PRECAST CONCRETE  
CLIP INSTALLATION

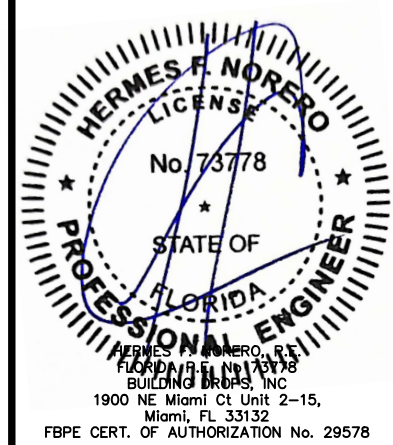


**D**  
**3** VERTICAL SECTION  
SILL - 2X WOOD BUCK  
NAIL FIN

NOTE:  
INSTALLATION CLIP IS TO  
BE USED IN MINIMUM 4"  
LENGTHS.

REMARKS	BY	DATE
FBC CODE UPDATE	SM	04/12
6TH ED. FBC UPDATE	EG	04/12
7TH ED. FBC UPDATE	LL	01/21
8TH ED. FBC UPDATE	FB	12/23

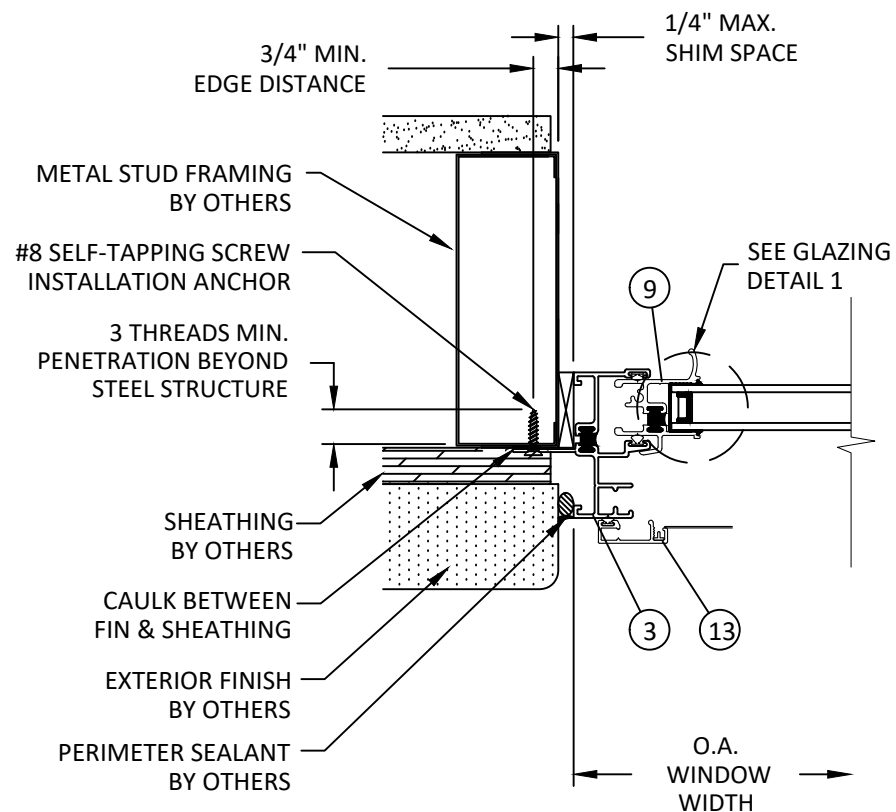
THE INSTALLATION DETAILS DESCRIBED HEREIN ARE GENERIC AND MAY NOT REFLECT ACTUAL CONDITIONS FOR A SPECIFIC SITE. IF SITE CONDITIONS CAUSE INSTALLATION TO DEVIATE FROM THE REQUIREMENTS DETAILED HEREIN, A LICENSED ENGINEER OR ARCHITECT SHALL PREPARE SITE SPECIFIC DOCUMENTS FOR USE WITH THIS DOCUMENT.



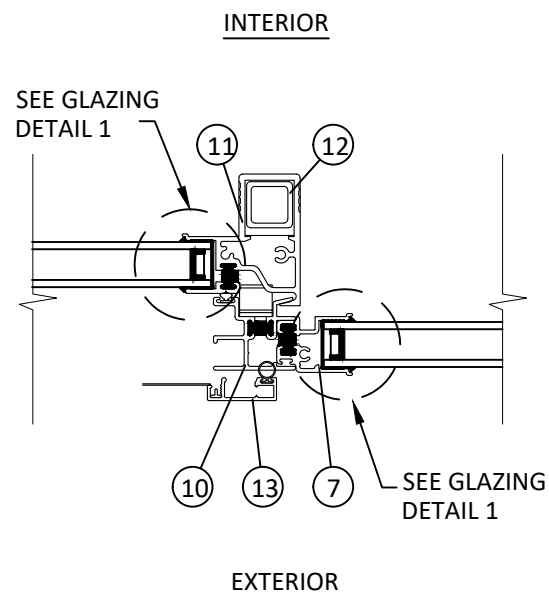
FL #: **FL14071**  
DATE: **04.17.13**  
DWG. BY: **MTJ** | CHK. BY: **HFN**  
SCALE: **NTS**  
DWG. #: **QWP021**

SHEET:  
**3**  
OF 5

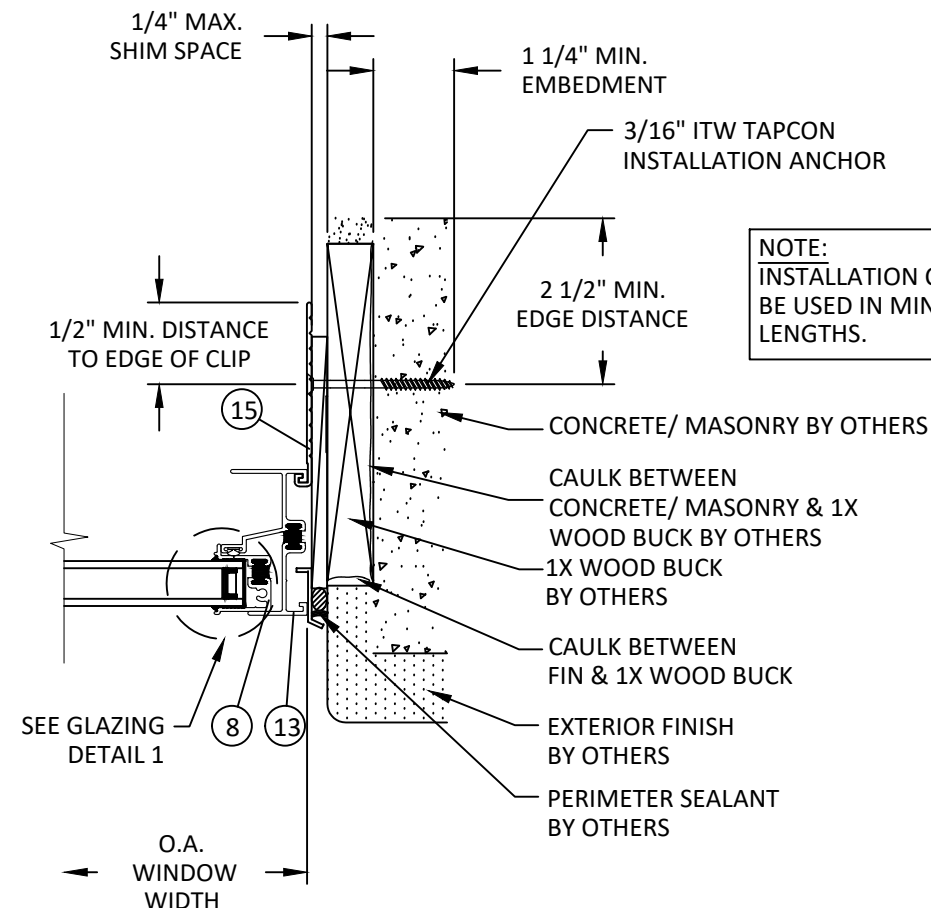
12/8/2023 9:40 AM  
z:\projects\quaker\_window\_products\cc-23-1113 - fbc 2023 code change\dwg\114071\qwp021 series k200 - fbc23.dwg



**E**  
**4** **HORIZONTAL SECTION**  
JAMB - METAL STUD FRAME  
NAIL FIN

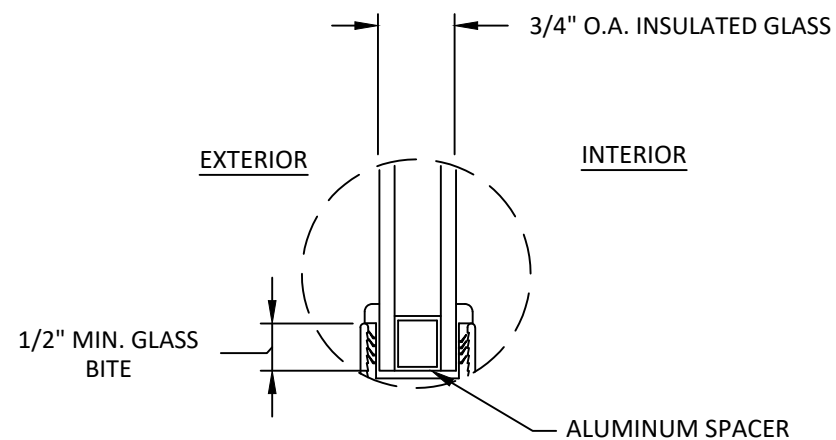


**F**  
**4** **HORIZONTAL SECTION**  
MEETING STILE



**NOTE:**  
INSTALLATION CLIP IS TO  
BE USED IN MINIMUM 4"  
LENGTHS.

**G**  
**4** **HORIZONTAL SECTION**  
JAMB - 1X WOOD/CONCRETE/MASONRY  
CLIP INSTALLATION



**GLAZING DETAIL 1**

- GLAZING NOTES:**
1. GLASS TYPE SHALL COMPLY WITH ASTM E1300 REQUIREMENTS.
  2. SETTING BLOCKS TO BE LOCATED AT 1/4 SPAN LENGTH FOR GLASS WIDER THAN 36" AS PER FBC CHAPTER 24.
  3. SETTING BLOCK DUROMETER HARDNESS OF 70-90 (SHORE A) AS REFERENCED IN FBC CHAPTER 24.
  4. GLASS TYPE SHALL COMPLY WITH APPLICABLE GLAZING REQUIREMENTS PER CHAPTER 24 OF THE FBC



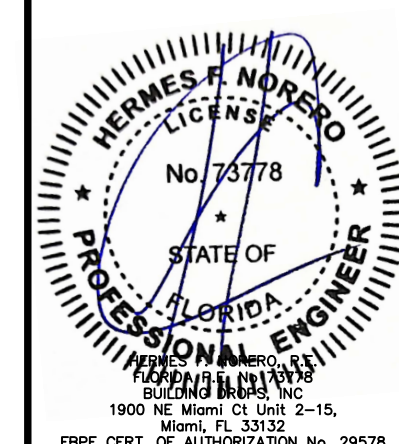
504 HIGHWAY 63 SOUTH  
FREEBURG, MO 65582  
PH: (651) 264-5150 FX: (651) 264-5485

TITLE: SERIES K200 THERMALLY BROKEN  
ALUMINUM HORIZONTAL  
SLIDING WINDOW  
(NON-HVHZ)(NON-IMPACT)  
HORIZONTAL SECTIONS  
AND GLAZING DETAILS

PREPARED BY:  
**BUILDING DROPS, INC.**  
1900 NE Miami Ct Unit 2-15,  
Miami, FL 33132  
PH: (954) 399-8478  
FAX: (954) 744-4738  
WEB: www.buildingdrops.com

REMARKS	BY	DATE
FBC CODE UPDATE	SM	04/12
6TH ED. FBC UPDATE	EG	04/12
7TH ED. FBC UPDATE	LL	01/21
8TH ED. FBC UPDATE	FB	12/23

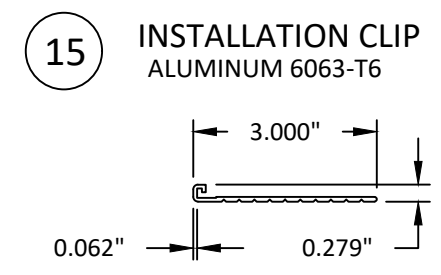
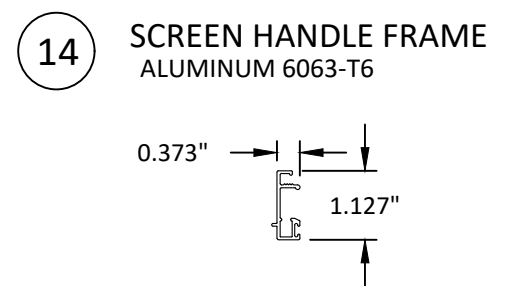
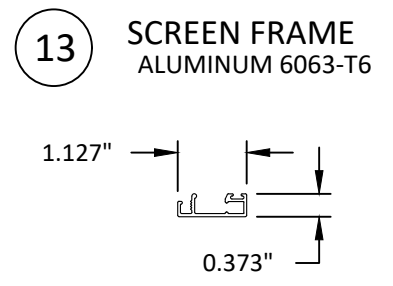
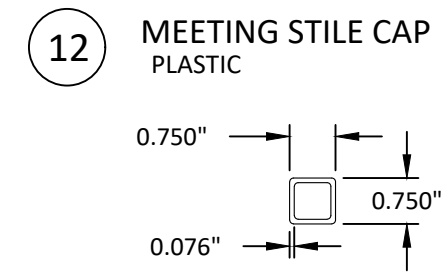
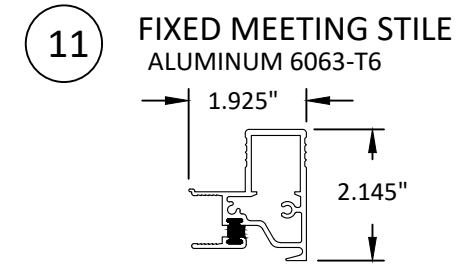
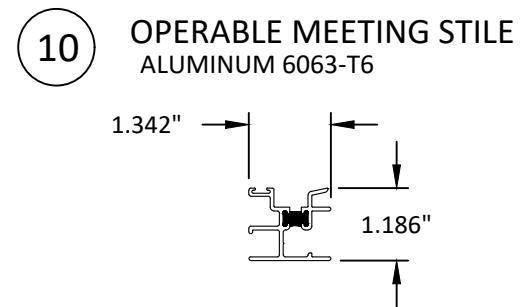
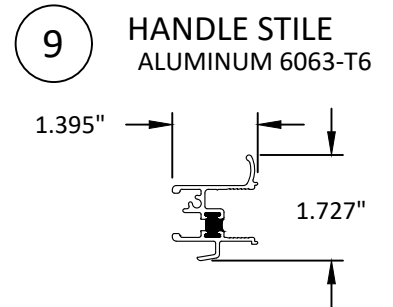
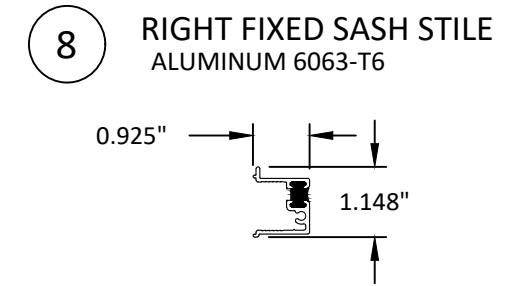
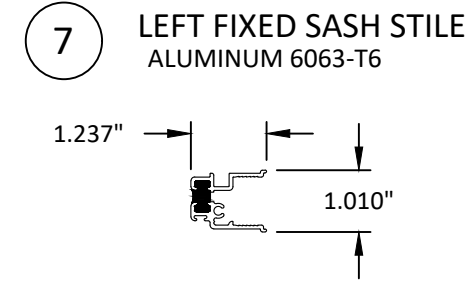
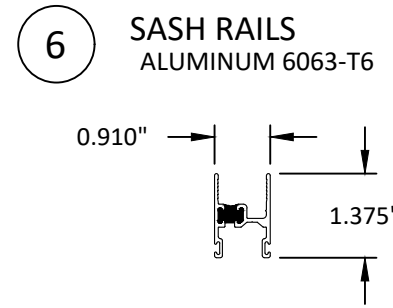
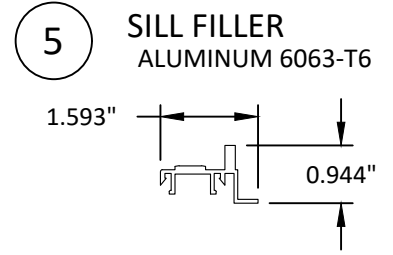
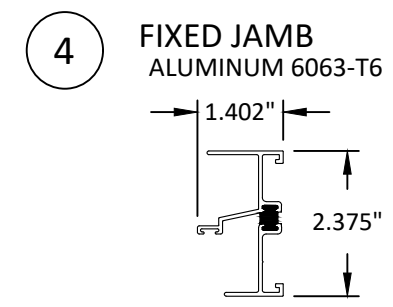
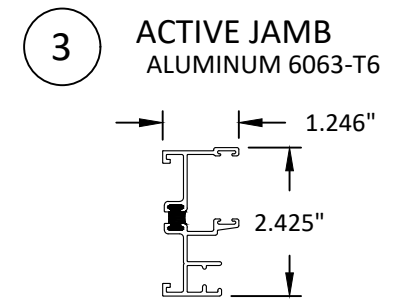
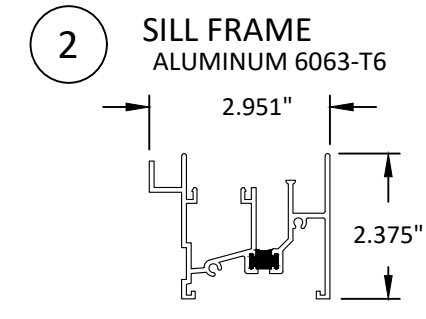
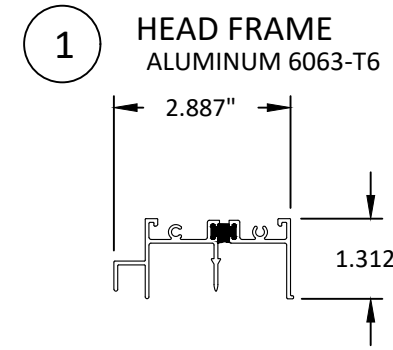
THE INSTALLATION DETAILS DESCRIBED HEREIN ARE GENERIC AND MAY NOT REFLECT ACTUAL CONDITIONS FOR A SPECIFIC SITE. IF SITE CONDITIONS CAUSE INSTALLATION TO DEVIATE FROM THE REQUIREMENTS DETAILED HEREIN, A LICENSED ENGINEER OR ARCHITECT SHALL PREPARE SITE SPECIFIC DOCUMENTS FOR USE WITH THIS DOCUMENT.



FL #:	<b>FL14071</b>
DATE:	<b>04.17.13</b>
DWG. BY:	<b>MTJ</b>
CHK. BY:	<b>HFN</b>
SCALE:	<b>NTS</b>
DWG. #:	<b>QWP021</b>
SHEET:	<b>4</b>

**BILL OF MATERIALS**

NO.	PART NO.	DESCRIPTION	MATERIAL	MANUFACTURING
1	-	HEAD FRAME	ALUMINUM 6063-T6	WELLS ALUM
2	-	SILL FRAME	ALUMINUM 6063-T6	TOWER EXTRUSIONS
3	-	ACTIVE JAMB	ALUMINUM 6063-T6	CALRIDGE EXTRUSIONS
4	-	FIXED JAMB	ALUMINUM 6063-T6	WELLS ALUM
5	-	SILL FILLER	ALUMINUM 6063-T6	ALUMAX
6	-	SASH RAIL	ALUMINUM 6063-T6	WELLS ALUM
7	-	LEFT FIXED SASH STILE	ALUMINUM 6063-T6	WELLS ALUM
8	-	RIGHT FIXED SASH STILE	ALUMINUM 6063-T6	WELLS ALUM
9	-	HANDLE STILE	ALUMINUM 6063-T6	WELLS ALUM
10	-	OPERABLE MEETING STILE	ALUMINUM 6063-T6	WELLS ALUM
11	-	FIXED MEETING STILE	ALUMINUM 6063-T6	WELLS ALUM
12	-	MEETING STILE CAP	PLASTIC	-
13	-	SCREEN FRAME	ALUMINUM 6063-T6	WELLS ALUM
14	-	SCREEN HANFLE FRAEM	ALUMINUM 6063-T6	WELLS ALUM
15	-	INSTALLATION CLIP	ALUMINUM 6063-T6	WELLS ALUM

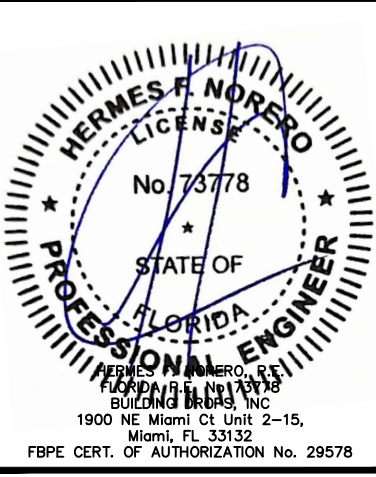


TITLE: SERIES K200 THERMALLY BROKEN ALUMINUM HORIZONTAL SLIDING WINDOW (NO IMPACT ON IMPACT) BILL OF MATERIALS

PREPARED BY: **BUILDING DROPS, INC.**  
1900 NE Miami Ct Unit 2-15, Miami, FL 33132  
PH: (954) 399-8478 FAX: (954) 744-4738  
WEB: www.buildingdrops.com

REMARKS	BY	DATE
FBC CODE UPDATE	SM	04/12
6TH ED. FBC UPDATE	EG	04/12
7TH ED. FBC UPDATE	LL	01/21
8TH ED. FBC UPDATE	FB	12/23

THE INSTALLATION DETAILS DESCRIBED HEREIN ARE GENERIC AND MAY NOT REFLECT ACTUAL CONDITIONS FOR A SPECIFIC SITE. IF SITE CONDITIONS CAUSE INSTALLATION TO DEVIATE FROM THE REQUIREMENTS DETAILED HEREIN, A LICENSED ENGINEER OR ARCHITECT SHALL PREPARE SITE SPECIFIC DOCUMENTS FOR USE WITH THIS DOCUMENT.



FL #:	<b>FL14071</b>
DATE:	<b>04.17.13</b>
DWG. BY:	<b>MTJ</b>
CHK. BY:	<b>HFN</b>
SCALE:	<b>NTS</b>
DWG. #:	<b>QWP021</b>
SHEET:	<b>5</b>
	<b>OF 5</b>

12/8/2023 9:40 AM  
z:\projects\quaker window products\ccc-23-1113 - fbc 2023 code change\dwgs\fl14071\qwp021 series k200-fbc23.dwg